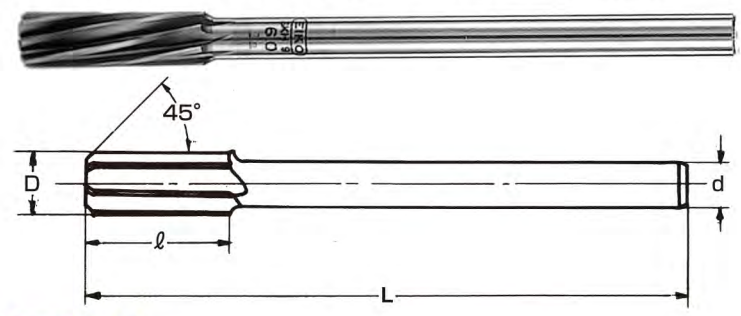


# SPSCR 直柄機械絞刀

Straight Shank Spiral Chucking Reamers

右刃左螺旋刃型



單位：mm

| 刃徑 (D)    | 公差               | 刃長 (ℓ) | 全長 (L) | 柄徑 (d) | 刃數 (N)          | 價(支)格           | 刃徑 (D)    | 公差               | 刃長 (ℓ) | 全長 (L) | 柄徑 (d)          | 刃數 (N)          | 價(支)格           |
|-----------|------------------|--------|--------|--------|-----------------|-----------------|-----------|------------------|--------|--------|-----------------|-----------------|-----------------|
| 2         | +0.007<br>+0.002 | 20     | 80     | 1.8    | 4               | <b>1,720.00</b> | 5.4       | +0.009<br>+0.004 | 30     | 120    | 4               | 6               | <b>1,950.00</b> |
| 2.01~2.05 |                  | 20     | 80     | 1.8    | 4               | <b>2,450.00</b> | 5.5       |                  | 30     | 120    | 4               | 6               | <b>1,650.00</b> |
| 2.1       |                  | 20     | 80     | 1.8    | 4               | <b>2,000.00</b> | 5.6       |                  | 30     | 120    | 4               | 6               | <b>1,950.00</b> |
| 2.2       |                  | 20     | 80     | 1.8    | 4               | <b>2,000.00</b> | 5.7       |                  | 30     | 130    | 5               | 6               | <b>1,950.00</b> |
| 2.3       |                  | 20     | 80     | 1.8    | 4               | <b>2,000.00</b> | 5.8       |                  | 30     | 130    | 5               | 6               | <b>1,950.00</b> |
| 2.4       |                  | 20     | 80     | 1.8    | 4               | <b>2,000.00</b> | 5.9       |                  | 30     | 130    | 5               | 6               | <b>1,950.00</b> |
| 2.5       |                  | 25     | 90     | 2.2    | 4               | <b>1,720.00</b> | 6         |                  | 30     | 130    | 5               | 6               | <b>1,650.00</b> |
| 2.6       |                  | 25     | 90     | 2.2    | 4               | <b>1,950.00</b> | 6.01~6.05 |                  | 30     | 130    | 5               | 6               | <b>2,400.00</b> |
| 2.7       |                  | 25     | 90     | 2.2    | 4               | <b>1,950.00</b> | 6.1       |                  | 30     | 130    | 5               | 6               | <b>1,950.00</b> |
| 2.8       |                  | 25     | 90     | 2.2    | 4               | <b>1,950.00</b> | 6.2       |                  | 35     | 130    | 5               | 6               | <b>1,950.00</b> |
| 2.9       | 25               | 90     | 2.2    | 4      | <b>1,950.00</b> | 6.3             | 35        | 130              | 5      | 6      | <b>1,950.00</b> |                 |                 |
| 3         | +0.009<br>+0.004 | 30     | 110    | 2.5    | 4               | <b>1,620.00</b> | 6.4       | 35               | 130    | 5      | 6               | <b>1,950.00</b> |                 |
| 3.01~3.05 |                  | 30     | 110    | 2.5    | 6               | <b>2,400.00</b> | 6.5       | 35               | 130    | 5      | 6               | <b>1,650.00</b> |                 |
| 3.1       |                  | 30     | 110    | 2.5    | 6               | <b>1,830.00</b> | 6.6       | 35               | 130    | 5      | 6               | <b>1,950.00</b> |                 |
| 3.2       |                  | 30     | 110    | 2.8    | 6               | <b>1,830.00</b> | 6.7       | 35               | 140    | 6      | 6               | <b>1,950.00</b> |                 |
| 3.3       |                  | 30     | 110    | 2.8    | 6               | <b>1,830.00</b> | 6.8       | 35               | 140    | 6      | 6               | <b>1,950.00</b> |                 |
| 3.4       |                  | 30     | 110    | 2.8    | 6               | <b>1,830.00</b> | 6.9       | 35               | 140    | 6      | 6               | <b>1,950.00</b> |                 |
| 3.5       |                  | 30     | 110    | 2.8    | 6               | <b>1,520.00</b> | 7         | 35               | 140    | 6      | 6               | <b>1,650.00</b> |                 |
| 3.6       |                  | 30     | 110    | 2.8    | 6               | <b>1,830.00</b> | 7.01~7.05 | 35               | 140    | 6      | 6               | <b>2,400.00</b> |                 |
| 3.7       |                  | 30     | 110    | 3.5    | 6               | <b>1,830.00</b> | 7.1       | 35               | 140    | 6      | 6               | <b>1,950.00</b> |                 |
| 3.8       |                  | 30     | 110    | 3.5    | 6               | <b>1,830.00</b> | 7.2       | 35               | 140    | 6      | 6               | <b>1,950.00</b> |                 |
| 3.9       | 30               | 110    | 3.5    | 6      | <b>1,830.00</b> | 7.3             | 35        | 140              | 6      | 6      | <b>1,950.00</b> |                 |                 |
| 4         | +0.009<br>+0.004 | 30     | 110    | 3.5    | 6               | <b>1,520.00</b> | 7.4       | +0.012<br>+0.006 | 35     | 140    | 6               | 6               | <b>1,950.00</b> |
| 4.01~4.05 |                  | 30     | 110    | 3.5    | 6               | <b>2,200.00</b> | 7.5       |                  | 35     | 140    | 6               | 6               | <b>1,680.00</b> |
| 4.1       |                  | 30     | 110    | 3.5    | 6               | <b>1,950.00</b> | 7.6       |                  | 35     | 140    | 6               | 6               | <b>2,000.00</b> |
| 4.2       |                  | 30     | 120    | 3.5    | 6               | <b>1,950.00</b> | 7.7       |                  | 40     | 150    | 6               | 6               | <b>2,000.00</b> |
| 4.3       |                  | 30     | 120    | 3.5    | 6               | <b>1,950.00</b> | 7.8       |                  | 40     | 150    | 6               | 6               | <b>2,000.00</b> |
| 4.4       |                  | 30     | 120    | 3.5    | 6               | <b>1,950.00</b> | 7.9       |                  | 40     | 150    | 6               | 6               | <b>2,000.00</b> |
| 4.5       |                  | 30     | 120    | 3.5    | 6               | <b>1,650.00</b> | 8         |                  | 40     | 150    | 6               | 6               | <b>1,680.00</b> |
| 4.6       |                  | 30     | 120    | 3.5    | 6               | <b>1,950.00</b> | 8.01~8.05 |                  | 40     | 150    | 6               | 6               | <b>2,580.00</b> |
| 4.7       |                  | 30     | 120    | 4      | 6               | <b>1,950.00</b> | 8.1       |                  | 40     | 150    | 6               | 6               | <b>2,100.00</b> |
| 4.8       |                  | 30     | 120    | 4      | 6               | <b>1,950.00</b> | 8.2       |                  | 40     | 150    | 6               | 6               | <b>2,100.00</b> |
| 4.9       | 30               | 120    | 4      | 6      | <b>1,950.00</b> | 8.3             | 40        | 150              | 6      | 6      | <b>2,100.00</b> |                 |                 |
| 5         | +0.009<br>+0.004 | 30     | 120    | 4      | 6               | <b>1,650.00</b> | 8.4       | 40               | 150    | 6      | 6               | <b>2,100.00</b> |                 |
| 5.01~5.05 |                  | 30     | 120    | 4      | 6               | <b>2,400.00</b> | 8.5       | 40               | 150    | 8      | 6               | <b>1,750.00</b> |                 |
| 5.1       |                  | 30     | 120    | 4      | 6               | <b>1,950.00</b> | 8.6       | 40               | 150    | 8      | 6               | <b>2,100.00</b> |                 |
| 5.2       |                  | 30     | 120    | 4      | 6               | <b>1,950.00</b> | 8.7       | 40               | 160    | 8      | 6               | <b>2,100.00</b> |                 |
| 5.3       |                  | 30     | 120    | 4      | 6               | <b>1,950.00</b> | 8.8       | 40               | 160    | 8      | 6               | <b>2,100.00</b> |                 |

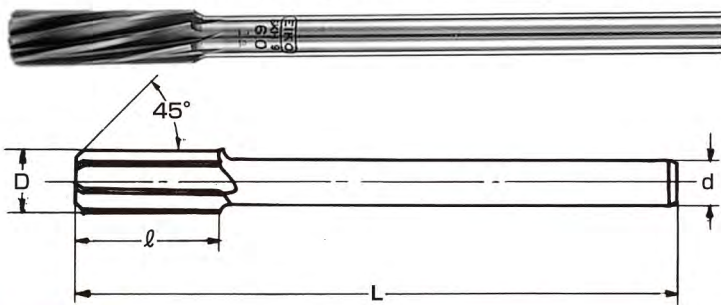
絞刀刀具 Reamers



# SPSCR 直柄機械絞刀

Straight Shank Spiral Chucking Reamers

右刃左螺旋刃型



單位：mm

| 刃徑 (D)      | 公差               | 刃長 (ℓ)           | 全長 (L) | 柄徑 (d) | 刃數 (N)          | 價(支)格           | 刃徑 (D)          | 公差               | 刃長 (ℓ) | 全長 (L) | 柄徑 (d)          | 刃數 (N)          | 價(支)格           |
|-------------|------------------|------------------|--------|--------|-----------------|-----------------|-----------------|------------------|--------|--------|-----------------|-----------------|-----------------|
| 8.9         | +0.012<br>+0.006 | 40               | 160    | 8      | 6               | <b>2,100.00</b> | 12.3            | +0.015<br>+0.007 | 45     | 180    | 10              | 6               | <b>2,720.00</b> |
| 9           |                  | 40               | 160    | 8      | 6               | <b>1,750.00</b> | 12.4            |                  | 45     | 180    | 10              | 6               | <b>2,720.00</b> |
| 9.01~9.05   |                  | 40               | 160    | 8      | 6               | <b>2,580.00</b> | 12.5            |                  | 45     | 180    | 10              | 6               | <b>2,300.00</b> |
| 9.1         |                  | 40               | 160    | 8      | 6               | <b>2,300.00</b> | 12.6            |                  | 45     | 180    | 10              | 8               | <b>2,720.00</b> |
| 9.2         |                  | 40               | 160    | 8      | 6               | <b>2,300.00</b> | 12.7            |                  | 45     | 180    | 10              | 8               | <b>2,720.00</b> |
| 9.3         |                  | 40               | 160    | 8      | 6               | <b>2,300.00</b> | 12.8            |                  | 45     | 180    | 10              | 8               | <b>2,720.00</b> |
| 9.4         |                  | 40               | 160    | 8      | 6               | <b>2,300.00</b> | 12.9            |                  | 45     | 180    | 10              | 8               | <b>2,720.00</b> |
| 9.5         |                  | 40               | 160    | 8      | 6               | <b>1,940.00</b> | 13              |                  | 45     | 180    | 10              | 8               | <b>2,300.00</b> |
| 9.6         |                  | 40               | 160    | 8      | 6               | <b>2,300.00</b> | 13.5            |                  | 45     | 180    | 10              | 8               | <b>2,400.00</b> |
| 9.7         |                  | 40               | 160    | 8      | 6               | <b>2,300.00</b> | 14              |                  | 50     | 190    | 10              | 8               | <b>2,400.00</b> |
| 9.8         |                  | 40               | 160    | 8      | 6               | <b>2,300.00</b> | 14.5            |                  | 50     | 200    | 12              | 8               | <b>2,800.00</b> |
| 9.9         |                  | 40               | 160    | 8      | 6               | <b>2,300.00</b> | 15              |                  | 50     | 200    | 12              | 8               | <b>2,800.00</b> |
| 10          | 40               | 160              | 8      | 6      | <b>1,940.00</b> | 15.5            | 50              | 200              | 12     | 8      | <b>3,100.00</b> |                 |                 |
| 10.01~10.05 | +0.015<br>+0.007 | 40               | 160    | 8      | 6               | <b>2,800.00</b> | 16              | 50               | 200    | 12     | 8               | <b>3,100.00</b> |                 |
| 10.1        |                  | 40               | 160    | 8      | 6               | <b>2,440.00</b> | 16.5            | 55               | 200    | 12     | 8               | <b>3,410.00</b> |                 |
| 10.2        |                  | 40               | 160    | 8      | 6               | <b>2,440.00</b> | 17              | 55               | 200    | 12     | 8               | <b>3,410.00</b> |                 |
| 10.3        |                  | 40               | 160    | 8      | 6               | <b>2,440.00</b> | 17.5            | 55               | 220    | 12     | 8               | <b>3,500.00</b> |                 |
| 10.4        |                  | 40               | 160    | 8      | 6               | <b>2,440.00</b> | 18              | 55               | 220    | 12     | 8               | <b>3,500.00</b> |                 |
| 10.5        |                  | 40               | 160    | 8      | 6               | <b>2,040.00</b> | 18.5            | 55               | 220    | 12     | 8               | <b>3,760.00</b> |                 |
| 10.6        |                  | 40               | 160    | 8      | 6               | <b>2,440.00</b> | 19              | 55               | 220    | 12     | 8               | <b>3,760.00</b> |                 |
| 10.7        |                  | 45               | 170    | 8      | 6               | <b>2,440.00</b> | 19.5            | 60               | 230    | 16     | 8               | <b>4,490.00</b> |                 |
| 10.8        |                  | 45               | 170    | 8      | 6               | <b>2,440.00</b> | 20              | 60               | 230    | 16     | 8               | <b>4,490.00</b> |                 |
| 10.9        |                  | 45               | 170    | 8      | 6               | <b>2,440.00</b> | 25              | 65               | 260    | 20     | 8               | <b>6,320.00</b> |                 |
| 11          |                  | 45               | 170    | 8      | 6               | <b>2,040.00</b> | 30              | 75               | 280    | 20     | 10              | <b>7,800.00</b> |                 |
| 11.01~11.05 |                  | +0.015<br>+0.007 | 45     | 170    | 8               | 6               | <b>2,980.00</b> | 3/32             | 20     | 80     | 1.8             | 4               | <b>2,090.00</b> |
| 11.1        | 45               |                  | 170    | 8      | 6               | <b>2,580.00</b> | 1/8             | 30               | 100    | 2.8    | 6               | <b>1,850.00</b> |                 |
| 11.2        | 45               |                  | 170    | 8      | 6               | <b>2,580.00</b> | 5/32            | 30               | 100    | 3.5    | 6               | <b>1,850.00</b> |                 |
| 11.3        | 45               |                  | 170    | 8      | 6               | <b>2,580.00</b> | 3/16            | 30               | 120    | 4      | 6               | <b>2,030.00</b> |                 |
| 11.4        | 45               |                  | 170    | 8      | 6               | <b>2,580.00</b> | 1/4             | 35               | 130    | 5      | 6               | <b>2,030.00</b> |                 |
| 11.5        | 45               |                  | 170    | 8      | 6               | <b>2,200.00</b> | 5/16            | 40               | 150    | 6      | 6               | <b>2,100.00</b> |                 |
| 11.6        | 45               |                  | 170    | 8      | 6               | <b>2,580.00</b> | 3/8             | 40               | 160    | 8      | 6               | <b>2,365.00</b> |                 |
| 11.7        | 45               |                  | 170    | 8      | 6               | <b>2,580.00</b> | 7/16            | 45               | 170    | 8      | 6               | <b>2,650.00</b> |                 |
| 11.8        | 45               |                  | 170    | 8      | 6               | <b>2,580.00</b> | 1/2             | 45               | 180    | 10     | 6               | <b>2,750.00</b> |                 |
| 11.9        | 45               |                  | 170    | 8      | 6               | <b>2,580.00</b> | 5/8             | 50               | 200    | 12     | 8               | <b>3,700.00</b> |                 |
| 12          | 45               |                  | 170    | 10     | 6               | <b>2,200.00</b> | 3/4             | 55               | 220    | 12     | 8               | <b>4,500.00</b> |                 |
| 12.01~12.05 |                  |                  | 45     | 180    | 10              | 6               | <b>3,200.00</b> | 7/8              | 60     | 230    | 16              | 8               | <b>6,900.00</b> |
| 12.1        |                  | 45               | 180    | 10     | 6               | <b>2,720.00</b> | 1               | 65               | 260    | 20     | 8               | <b>7,700.00</b> |                 |
| 12.2        |                  | 45               | 180    | 10     | 6               | <b>2,720.00</b> |                 |                  |        |        |                 |                 |                 |